

Made in Holland

PITT
COOKING



Gas
Altar
Top Side



1. **Medium burner**
ENAMELED CAST IRON

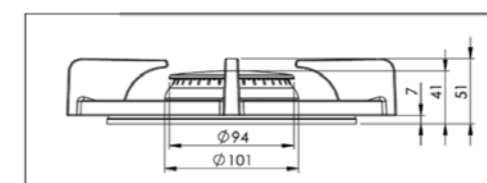
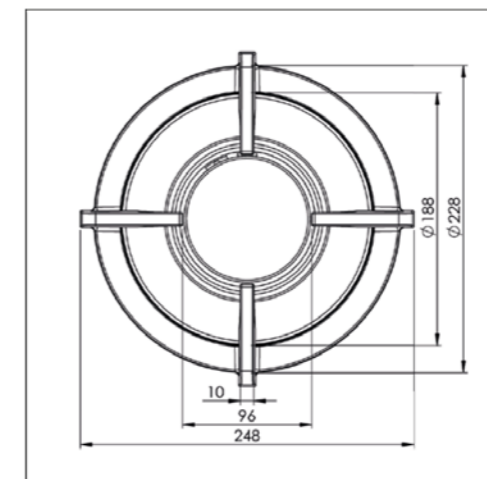
2. **Flange**
STEEL

3. **Heat conductor**
ALUMINIUM

4. **Control knob**
ANODISED ALUMINIUM

5. **Cassette unit**
GALVANIZED STEEL

Medium burner



MEDIUM BURNER

MIN. POWER

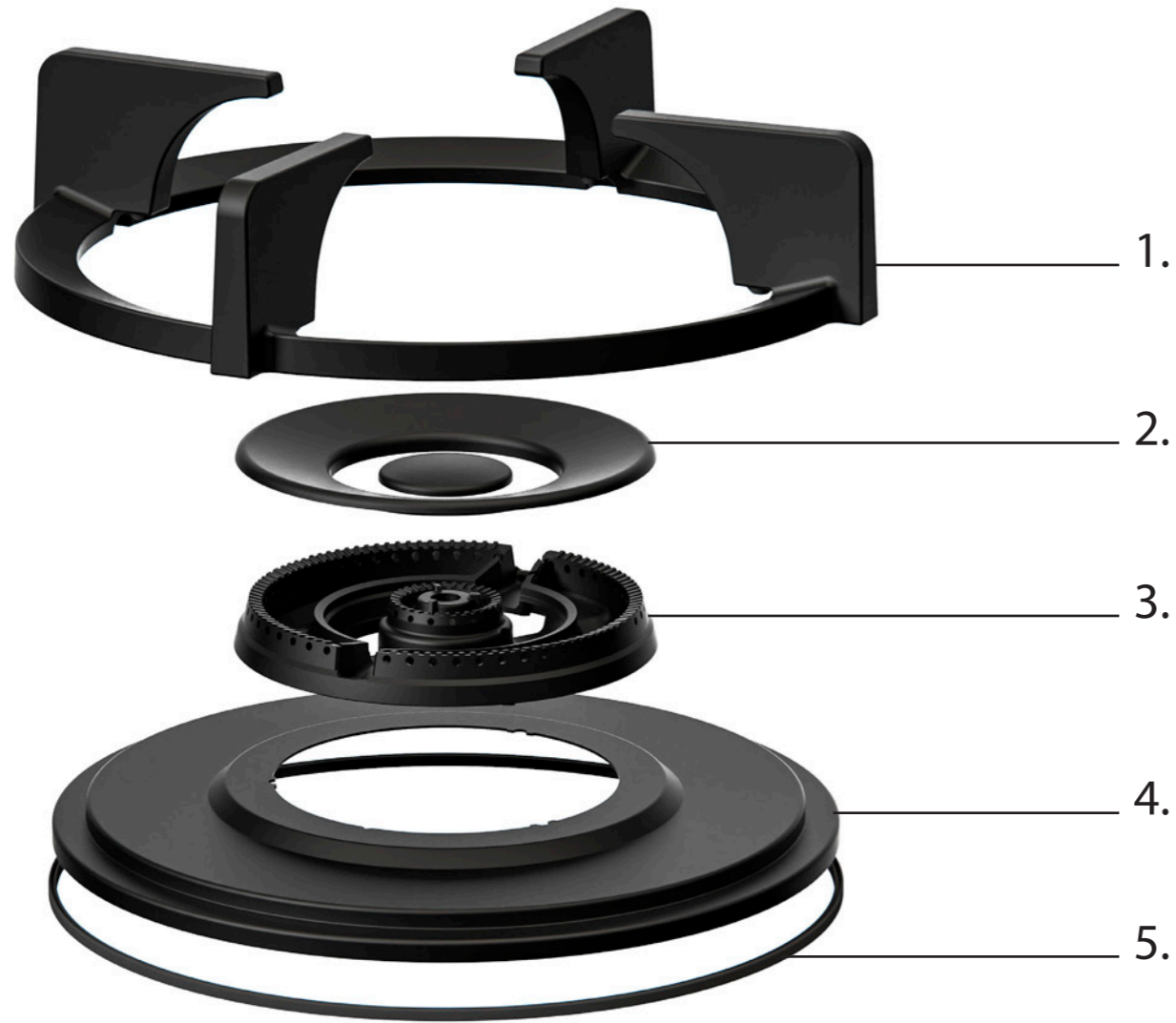
0,3 kW

MAX. POWER

3 kW

DIAM. BURNER

Ø 230 mm



1. **Pan support**
ENAMELED CAST IRON

2. **Burner caps**
ENAMELED CAST IRON

3. **Flame spreader**
(COATED BRASS)

4. **Heat shield**
ENAMELED STEEL

5. **Silicone ring**
SILICONE

Black edition
HEAVY BRASS BURNERS.
BLACK BURNERS WITH A BLACK SURFACE.
STYLISH AND REFINED.



MEDIUM BURNER

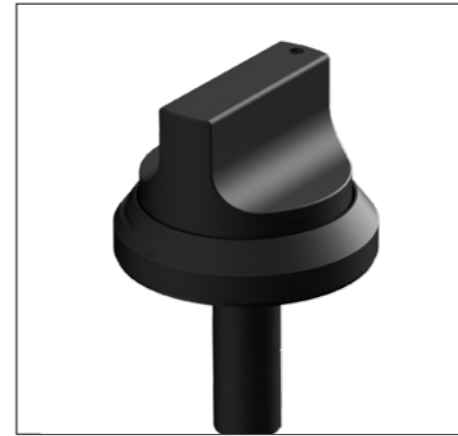
Professional edition
HEAVY BRASS BURNERS.
FOR THOSE WHO WANT TO COOK IN STYLE



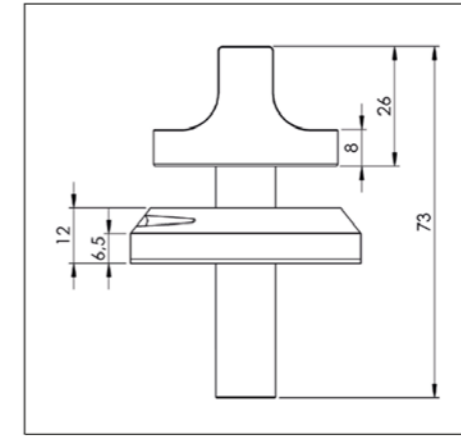
MEDIUM BURNER

Control knob Top Side

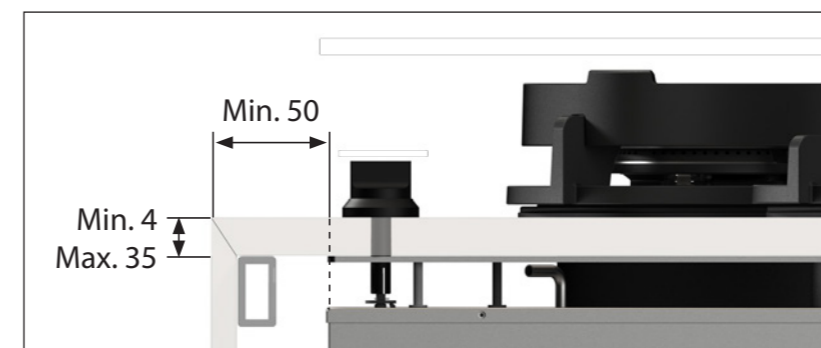
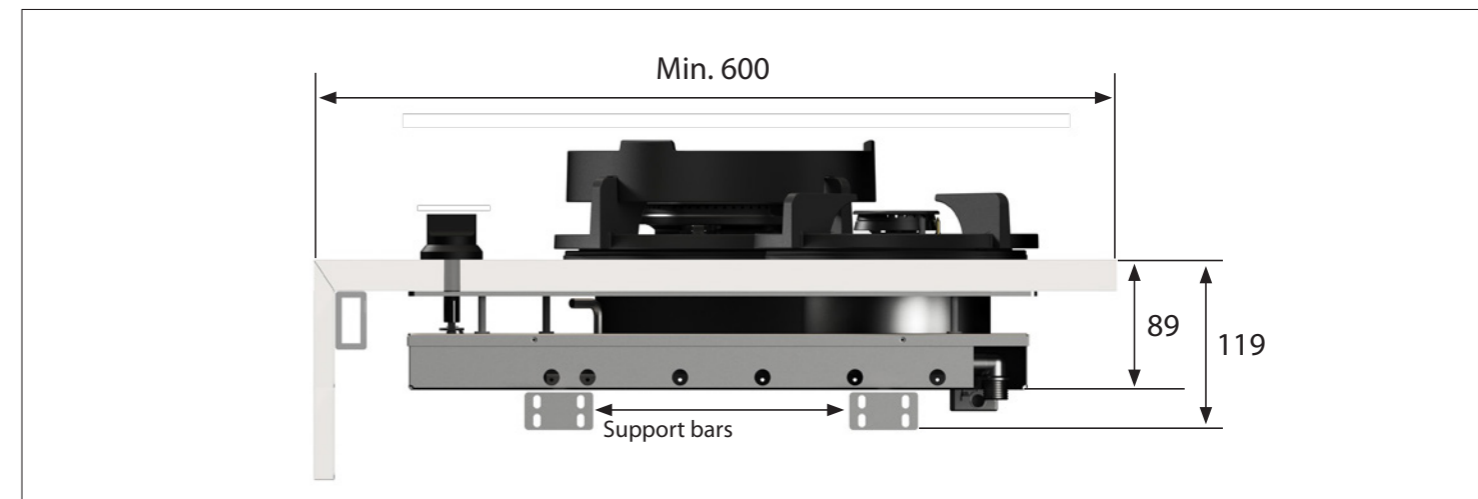
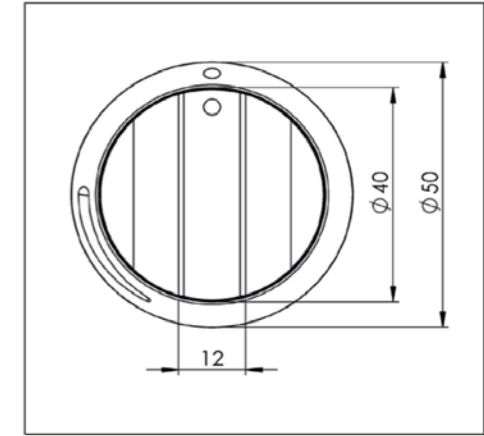
3D-image Top Side knob



Front view Top Side knob

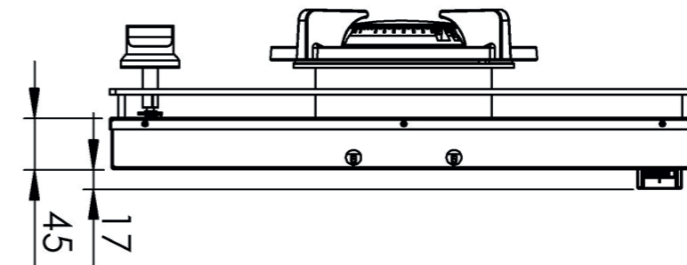
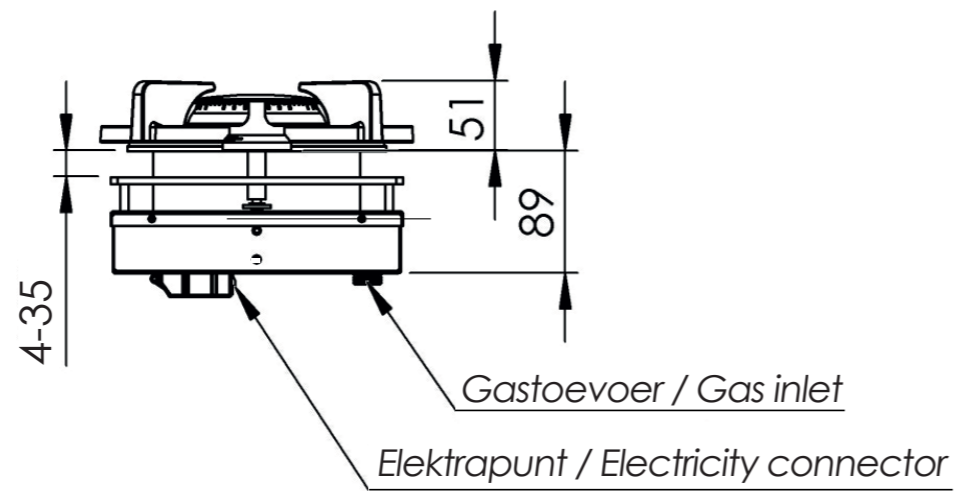
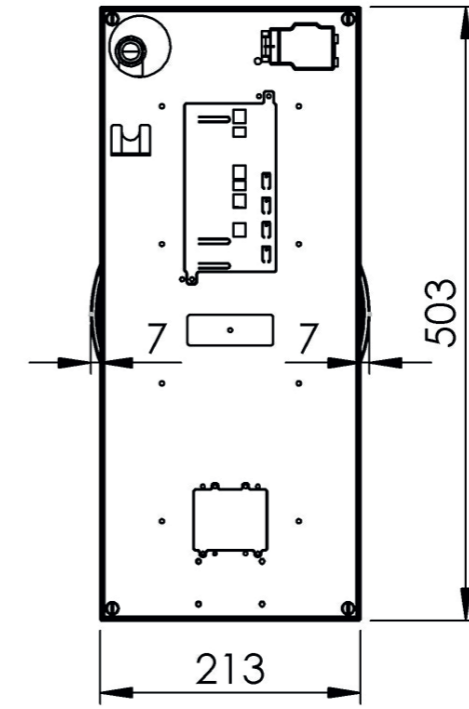
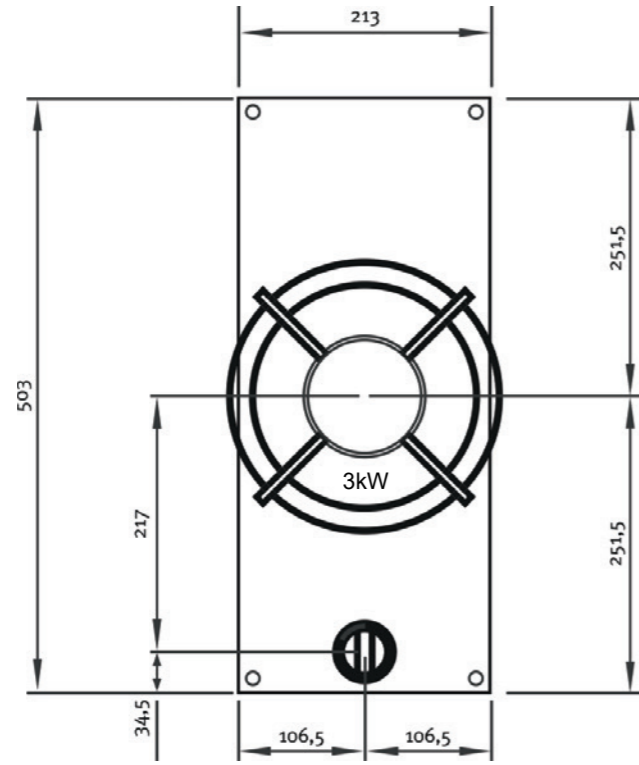


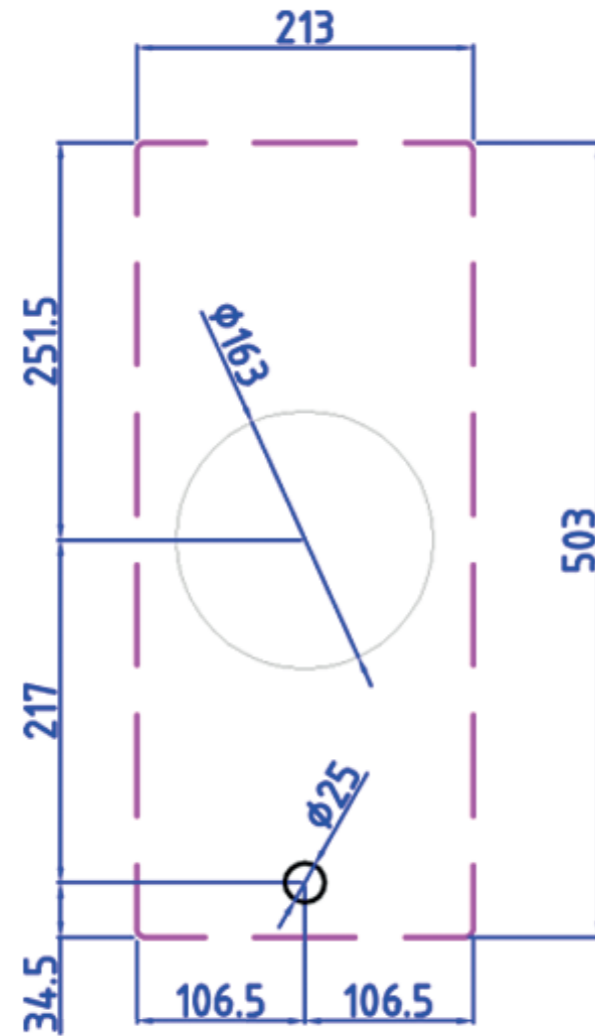
Top view Top Side knob



Important

- Minimal countertop depth: 600 mm
- Total height PITT unit incl. support bar set: 119 mm
- Countertop thickness: 4-35 mm
- The C-size is a **minimal** size





Model	Altar Top Side
Type of burners	1x burner medium (0,3 - 3 kW)
Editions	Professional (brass) Black (full black)
The controls	Top Side
Module dimensions (LxWxH)	213 x 503 x 89 mm
Automatic spark ignition	✓
Flame protection	✓
Weight	5,5 kg
Wok ring	-

Gas & Electricity

Type of gas suitable	Natural gas, LPG (Bottled gas)
Type of gas connection	½" external threads
Position gas connection	Top corner, right
Voltage	220V-110V (default) / 1,5V (battery)
Cord length	1500 mm / 591/16"



Installation and handling instructions gas



Installation manual Top Side gas



User manual gas